



Ruckus I100 IoT Module Quick Setup Guide

This *Quick Setup Guide* provides information about how to install the Ruckus I100 IoT Module on a Ruckus Access Point and where to go for more information about how to configure and use the Ruckus I100 IoT Module (part # 902-I100-WW00).

This Guide in Other Languages

请从以下网站获得该指南的简体中文版 <https://support.ruckuswireless.com>.

Vous trouverez la version française de ce guide à l'adresse suivante <https://support.ruckuswireless.com>.

このガイドの日本語版は <https://support.ruckuswireless.com> でご覧ください。

이 가이드의 한국어 버전은 웹 사이트 (<https://support.ruckuswireless.com>) 에서 확인하시기 바랍니다.

Veja a versão em português (Brasil) deste guia em <https://support.ruckuswireless.com>.

Puede ver la versión en español (América Latina) de esta guía en <https://support.ruckuswireless.com>.

Before You Begin

Before installing the Ruckus I100 IoT Module on the Access Point (AP), complete the prerequisites in this section:

- Install and configure the Ruckus IoT Controller software on a server. The *Ruckus IoT Controller Software Installation Guide* and the *Ruckus IoT Controller Configuration Guide* are both available at <http://support.ruckuswireless.com/documents>.
- Ensure you are running SmartZone 3.6.1 or a later release. Software upgrades are available at <http://support.ruckuswireless.com/software>.
- Note the following resources:
 - Release Notes and other user documentation are available at <http://support.ruckuswireless.com/documents>.

– Software license and limited warranty information are available at <http://support.ruckuswireless.com/warranty>.

Package Contents

- Ruckus I100 IoT USB Module
- One bracket
- One cap and captive screws
- One clip with adhesive backing and screw
- USB cable
- Regulatory Flyer/DOC document
- This Ruckus IoT Quick Setup Guide

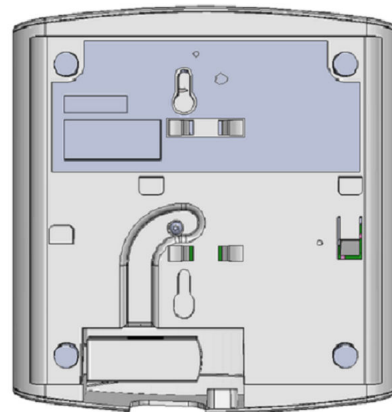
What You Will Need

- #1 Phillips screwdriver
- T10 Torx screwdriver
- 3 mm Hex Key
- Torque screwdriver

Install the I100 IoT Module on an Indoor AP with a Cable Bay

Plug the I100 IoT Module into the USB port of the AP. The module should fit without interference inside the cable bay, as shown in the following figure.

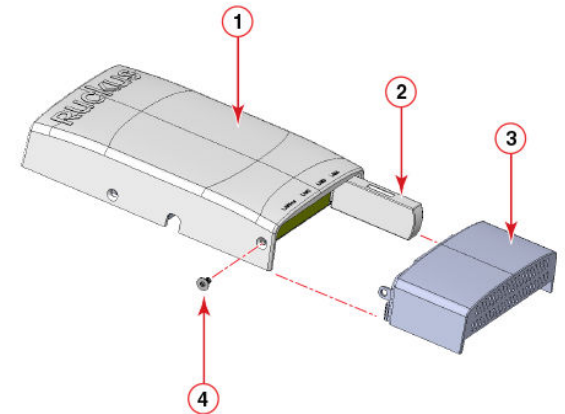
FIGURE 1 AP with I100 IoT Module plugged into the USB port in the cable bay



Install the Ruckus I100 IoT Module on the H510 Access Point

1. Plug the I100 IoT Module into the USB port of the H510.
2. Attach the bracket to the AP, as shown in the following figure.

FIGURE 2 AP with I100 IoT Module and bracket



1. H510

2. I100 IoT Module

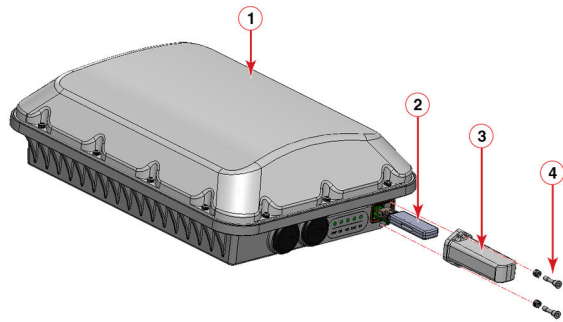
3. Bracket

4. Screws for securing the bracket

Install the I100 IoT Module on an Outdoor AP

1. Remove the existing cap that covers the USB port on the AP.
2. Plug the I100 IoT Module into the USB port.
3. Place the cap over the I100 IoT module and attach it to the AP with the captive screws, as shown in the following figure. Torque the screws to 7-in-lbs.

FIGURE 3 Outdoor AP with I100 IoT Module and cap



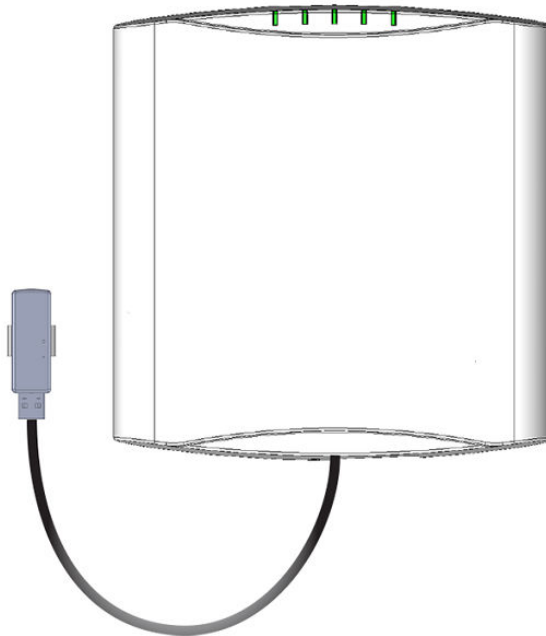
1. Ruckus outdoor AP
2. I100 IoT module
3. Cap
4. Captive screws (with springs) that attach the cap to the AP

Install the I100 IoT Module Away from the AP with a USB Cable

The clip is used to secure the I100 IoT Module when it is connected to the AP with a USB cable. The clip is attached to a flat surface near the AP using the adhesive backing on the clip or with the enclosed screw.

1. Attach the clip to a flat surface near the AP using the adhesive backing on the clip or the enclosed screw. Be sure the clip is close enough to the AP that the USB cable reaches from the I100 IoT Module to the AP's USB port.
2. Plug the USB cable into the AP and the I100 IoT Module.
3. Snap the I100 IoT Module into the clip.

FIGURE 4 I100 IoT Module in the clip and attached to the AP using the USB cable



Next Steps: Onboard the I100 IoT Module in the Ruckus IoT Controller

See the *Ruckus IoT Controller Configuration Guide* for step-by-step instructions on how to onboard the IoT module. User documentation for the Ruckus IoT Controller can be found at <http://support.ruckuswireless.com/>.

© 2018 ARRIS Enterprises LLC. All rights reserved.

ARRIS, the ARRIS logo, Ruckus, Ruckus Wireless, the Ruckus logo, and the Big Dog design are trademarks of ARRIS International plc and/or its affiliates. All other trademarks are the property of their respective owners.